

PNAB

Barrier cable glands for unarmoured cables



Installation

hazardous areas - Zone 1 / 2 (Gases) - Zone 21 / 22 (Dusts)

Classification

Group II - Category 2G 2D / 3G 3D

Mechanical characteristics

Body / cap	OT-58 marine brass (ON) - AISI-316L stainless steel (XX) marine grade copper free aluminium (on project request only)
Finishes	full nickel plating treatment (brass material only)
Rubber rings	EPDM rubber 50-60 shore hardness (standard supply) Silicon rubber 60 shore hardness (on demand only)
O-ring	silicon rubber - 60 shore hardness
Skid washer	nylon 6.0
Chamber for sealing	OT-58 marine brass OT-58 nickel plated marine brass (on demand) AISI-316L stainless steel (on demand)

Applications

For unarmoured cables only

Single compression type suitable for indoor and outdoor use

Single compression - on cable (inner sealing)

Sealing with proper resin into "chamber of sealing"

On Request Accessories

- Locknuts, Gaskets, PVC Shrouds, Earthing Tags, Sealing, (See DL-NW-PTD-ET bulletin)

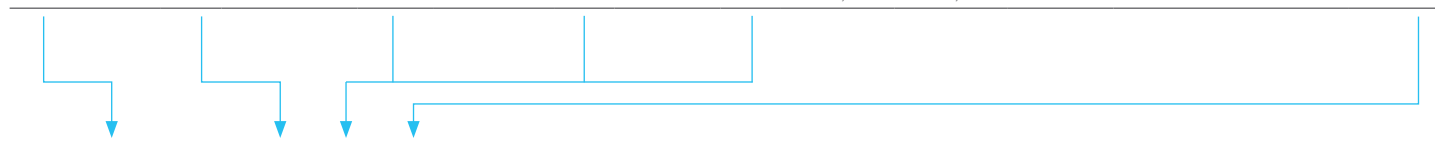
Reference standards

Directive 2014/34/EU	
Execution	<ul style="list-style-type: none"> Ⓜ II 2 G Ex db / Ex eb/ Ex ia/ IIC Gb Ⓜ II 2 D Ex tb IIIC Db Ⓜ II 3 G Ex nR IIC Gc Ⓜ II 3 D Ex tc IIIC Dc
Rules of compliance	<ul style="list-style-type: none"> EN/IEC 60079-0; EN/IEC 60079-1; EN/IEC 60079-7; EN/IEC 60079-11; EN/IEC 60079-15; EN/IEC 60079-31
EU Type-Examination Certificate	<ul style="list-style-type: none"> INERIS 09 ATEX 0028X INERIS 23 ATEX 3004X (Ex nR only)
Protection degree	IP66 or IP66/68
Ambient temperature	<ul style="list-style-type: none"> -40 °C ÷ +90 °C (Rubber rings EPDM-60) -60 °C ÷ +100 °C (Rubber rings SILICON)
Other Available Certificates	<ul style="list-style-type: none"> IECEX: IECEX INE 11.0017X ECASEX: 23-06-22481/Q23-06-048569/NB0002 INMETRO: CEPEL 12.2177X CCC: 2023122313116542 KC: in progress



Cable gland selection table

Code (1)	Size	Entry thread size						Inner sheath dia.		Hexagon [mm]	Material	
		Metric	(2)	NPT	(2)	ISO 228	(2)	min [mm]	max [mm]		(3)	
PNAB#	00	ISO-M16 ISO-M20	M	3/8" NPT 1/2" NPT	N	3/8" 1/2"	G	4,0	7,0	24,0	Nickel pl. brass	ON
								7,0	10,0		Stainless steel	XX
								4,0	7,0	32,0	Nickel pl. brass	ON
								7,0	10,0		Stainless steel	XX
PNAB#	01	ISO-M20	M	1/2" NPT	N	1/2"	G	5,5	8,0	32,0	Nickel pl. brass	ON
								8,0	10,5		Stainless steel	XX
								10,5	13,0			
PNAB#	02	ISO-M25	M	3/4" NPT	N	3/4"	G	10,5	13,0	36,0	Nickel pl. brass	ON
								13,0	15,5		Stainless steel	XX
								15,5	18,0			
PNAB#	03	ISO-M32	M	1" NPT	N	1"	G	15,0	18,0	45,0	Nickel pl. brass	ON
								18,0	21,0		Stainless steel	XX
								21,0	24,0			
PNAB#	04	ISO-M40	M	1 1/4" NPT	N	1 1/4"	G	21,0	24,0	53,0	Nickel pl. brass	ON
								24,0	27,0		Stainless steel	XX
								27,0	30,0			
PNAB#	05	ISO-M50	M	1 1/2" NPT	N	1 1/2"	G	24,0	27,0	61,0	Nickel pl. brass	ON
								27,0	30,0		Stainless steel	XX
								30,0	33,0			
								33,0	36,0			
PNAB#	06	ISO-M63	M	2" NPT	N	2"	G	36,0	39,0	71,0	Nickel pl. brass	ON
								39,0	42,0		Stainless steel	XX
								42,0	45,0			
PNAB#	07	ISO-M75	M	2 1/2" NPT	N	2 1/2"	G	42,0	45,0	84,0	Nickel pl. brass	ON
								45,0	48,0		Stainless steel	XX
								48,0	51,0			
PNAB#	08	ISO-M90	M	3" NPT	N	3"	G	51,0	54,0	101,0	Nickel pl. brass	ON
								52,0	56,0		Stainless steel	XX
								56,0	59,0			
								59,0	62,0			
PNAB#	09	ISO-M115	M	4" NPT	N	4"	G	62,0	65,0	126,0	Nickel pl. brass	ON
								65,0	68,0		Stainless steel	XX
								68,0	74,0			
								74,0	80,0			
								80,0	86,0			
								86,0	92,0			



P
N
A
B
#
0
1
M
O
N
 → PNAB#01MON (barrier cable gland nickel plated brass ISO-M20 THR.)

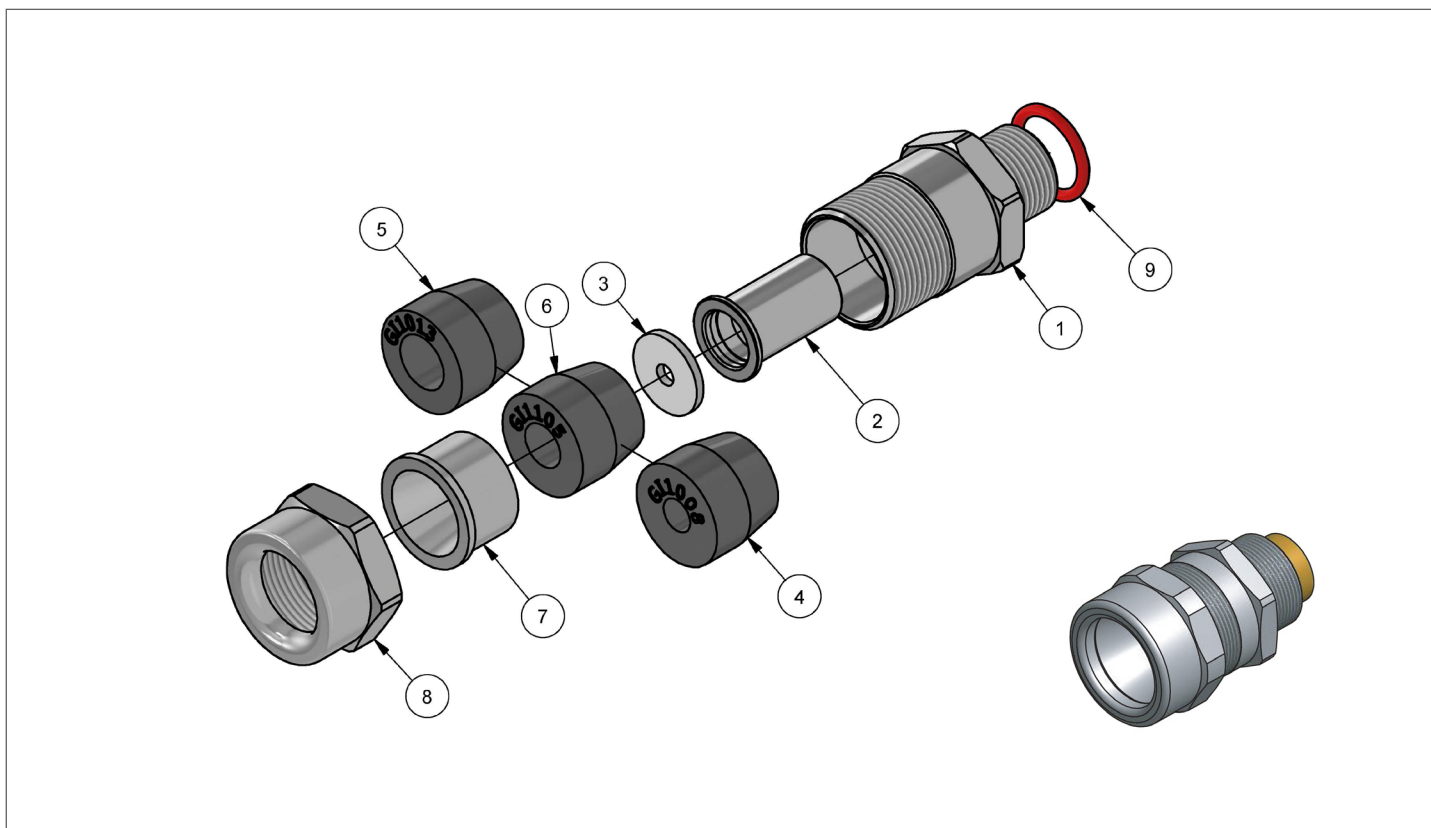
P
N
A
B
#
0
3
N
X
X
 → PNAB#03NXX (barrier cable gland stainless steel 1" NPT THR.)

Cable gland ordering examples

Legend

(1) –	cable gland type/model	PNAB# = barrier cable gland
(2) –	threading	M = ISO metric pitch 1,5mm / N = NPT (ANSI/ASME B1.20.1) / G = ISO-228
(3) –	cable gland material	ON – nickel plated marine brass / XX = AISI-316l stainless steel

PNAB dimensional



1	Barrier cable gland body
2	Sealing chamber
3	Resin seal rubber
4 - 5 - 6	Inner rubber seal
7	Pushing seal cone
8	Gland nut
9	Or gasket (metric thread only)

Flowable epoxy resin RSN#C0200	
Cable gland size	Resin quantity [g]
0	4
1	7
2	12
3	21
4	36
5	53
6	86
7	159
8	250
9	533

REMARK:

Due to the development of the national and international specifications and of the technology, the above technical characteristics showed on this bulletin can be considered as binding on our confirmation only.