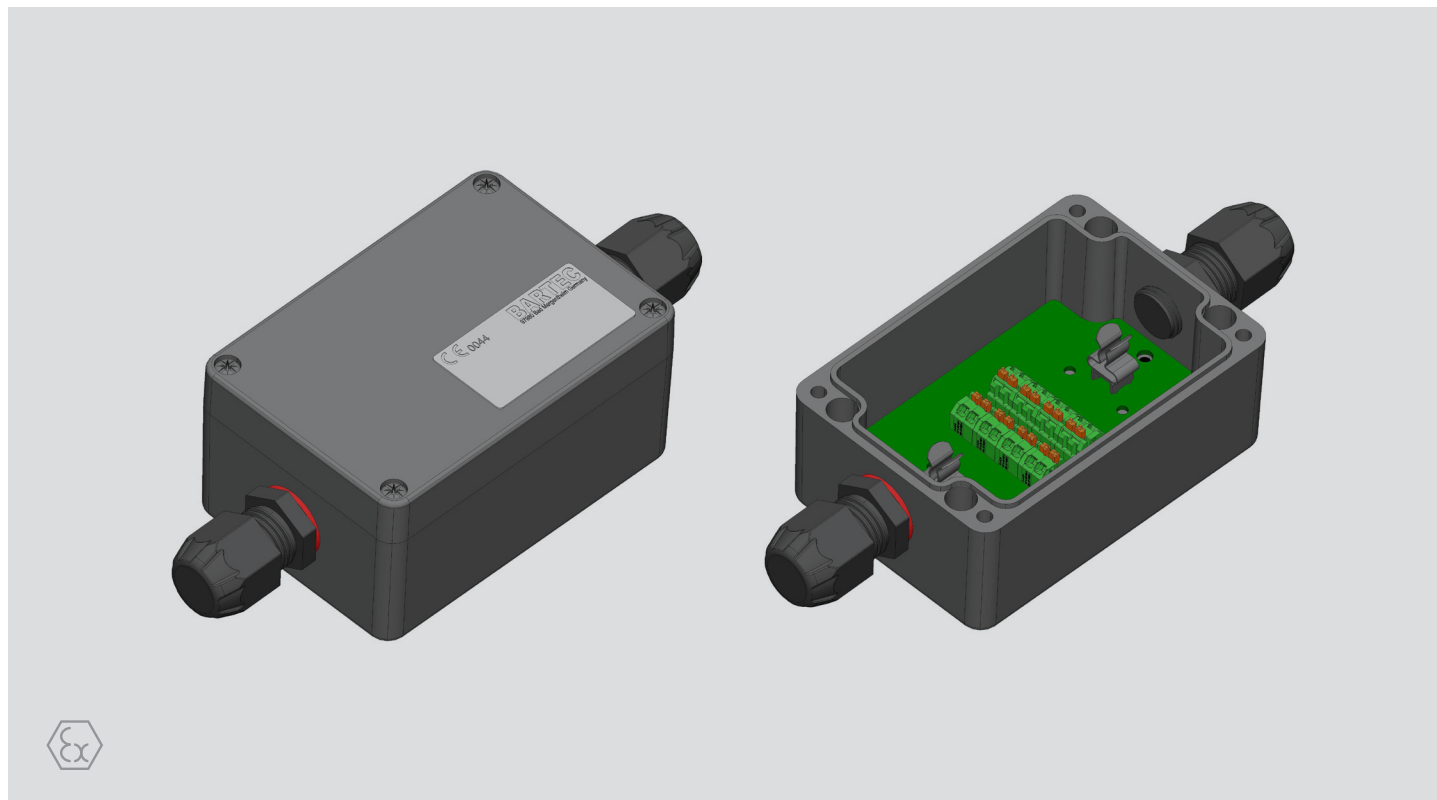


Ethernet junction box made of glass-fibre reinforced polyester

Suitable for zone 1/21



The new BARTEC Ethernet junction box is designed for connecting Ethernet cables in explosion-endangered areas. It is used to connect any CAT cables for high transmission rates up to 1 GBit/s in zone 1 and 21 in areas with potentially explosive atmosphere.

- Built into a polyester enclosure
- Ignition protection type Exe
- Connection via spring-loaded terminals
- 4 wire pairs can be connected
- Also suitable for PoE (Power over Ethernet)

Order details

Code	07-3103-1105/9007
ERP-No.	454442

Technical data

Marking according to 2014/34/EU	Ex II 2G
Marking ATEX (Gas)	II 2G Ex eb IIC T6 Gb
Certification	IBExU12ATEX1099X
Marking IECEx (Gas)	Ex eb IIC T6 Gb
Certification	IECEX 12.0031X
Protection class according to EN 60529	IP66
Enclosure material	Polyester
Seal	Silicone (Alternatives on request)
Connection technology	Cable gland 2xM20 Polyamide; Ø 4-13mm
Permissible ambient temperature	-40 °C ≤ T _{amb} ≤ 70 °C (Standard)
Weight	0.4 kg
Ethernet terminal	4x2 wire pairs can be connected
Clamping range	0.2 ≤ 1.5mm ² ; AWG 24-16
Enclosure size	110 x 75 x 55 mm

Alternative (direct top-hat rail mounting in the Ex e enclosure)

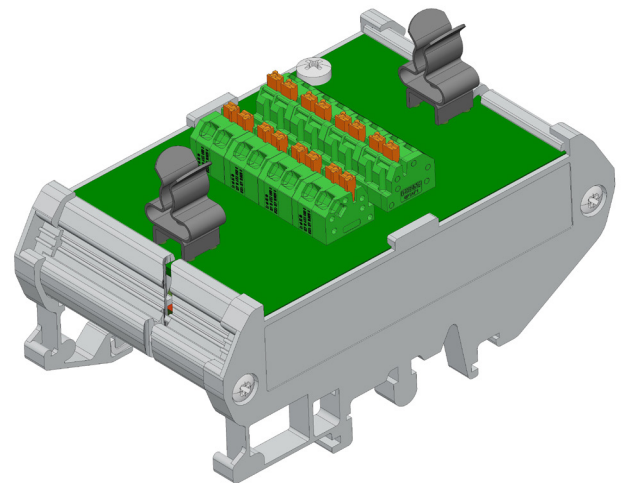
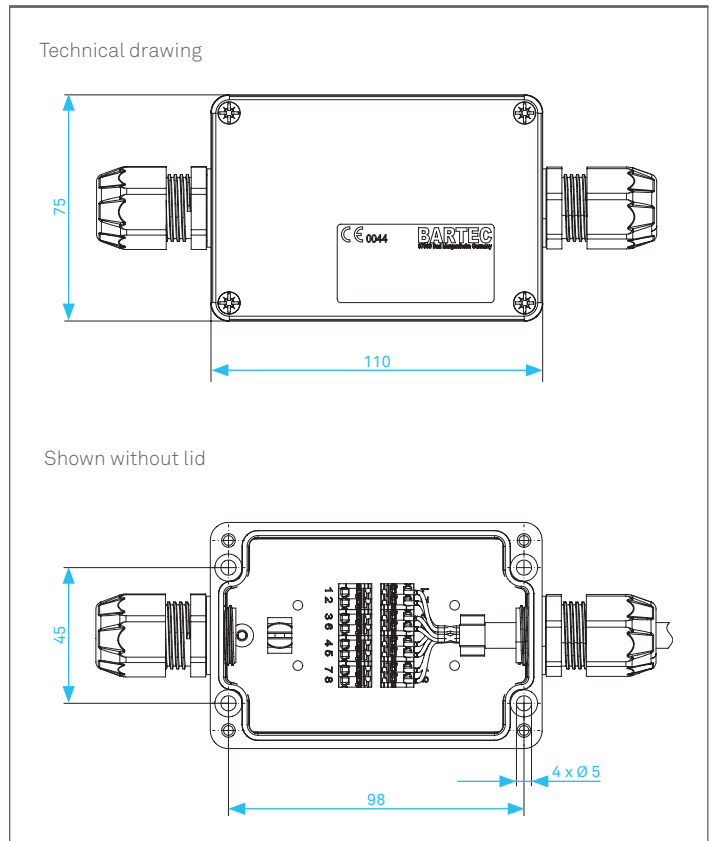
Order details

Code	17-9065-1002
ERP-No.	454229

Technical data

Marking ATEX (Gas)	II 2G Ex eb IIC Gb
Certification	IBExU21ATEX1070 U
Marking IECEx (Gas)	Ex eb IIC Gb
Certification	IECEX IBE 21.0026U
Terminal allocation	1:1 interconnected
Rated voltage between the terminal blocks	≤ 63 V
Rated voltage between the terminals of the terminal blocks	≤ 32 V
Rated current	≤ 1,0 A, per terminal
Transmission rate	10/100/1000 Base-T
Power over Ethernet	according to PoE (802.3af 2003802.3bt Type 4)
Rated output	100 W (PoE)
Power loss	Negligible
Operating temperature	-40 °C to + 80 °C
Clamping range	0.2 ≤ 1.5mm ² ; AWG 24-16

Example



Delivery:

Supplied with EU Declaration of Conformity and operating instructions.

Maintenance:

Inspection and maintenance according to IEC/EN 60079-17 for electrical systems (close inspection for any damage).

Other enclosure sizes and materials on request www.bartec.com