

Customer requirements Cable entries/line bushings

Customer

BARTEC (to be completed by the BARTEC representative)

Company		Sales employee	
Street		<input type="checkbox"/> Offer	<input type="checkbox"/> Order
Postcode/City		Project name/Application number	
Country		Customer number	
Contact person		Order value	
E-mail		Deadline	Offer
Phone	Fax	Delivery	

Conditions of use

Current	A	Voltage	V	Peak voltage	V	Frequency	Hz
---------	---	---------	---	--------------	---	-----------	----

Pressure

Nominal pressure	bar	<input type="checkbox"/> Boss side
Test pressure	bar	<input type="checkbox"/> Sleeve side
Leckage rate	mb * l * s ⁻¹	

Medium

Boss side
Sleeve side
aggressive components of the medium

Ambient temperature _____ °C

Ex area (Zone) _____

max. permissible heating at the conductor

Type of protection _____

max. conductor temperature _____ °C

Other points _____

Installation site sketch

Customer requirements Cable entries/line bushings

Cable entry/line bushing

Cable description

Boss side Shielded cable Core

not shielded shielded

Shield connected to ground

Shield run through

Shield insulated

Designation lead/core _____

Length _____ mm

Sleeve side Shielded cable Core

not shielded shielded

Shield connected to ground

Shield run through

Shield insulated

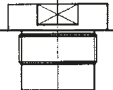
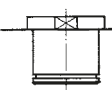
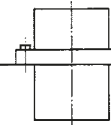
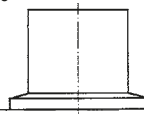
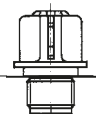
Designation lead/core _____

Length _____ mm

Number of cores _____ piece

Core cross section _____ mm²

Version

Threaded sleeve	Non-threaded sleeve	Non-threaded sleeve with mounting flange	Small flange	Line bushing with terminals
Boss side  Sleeve side				
Quantity _____	Quantity _____	Quantity _____	Quantity _____	Quantity _____
Thread name _____	Sleeve size _____	Sleeve size _____	Diameter Ø _____	Thread name _____
Thread size _____	Length of gap _____	Length of gap _____	Length of gap _____	Thread size _____
Sleeve material _____	Sleeve material _____	Sleeve material _____	Sleeve material _____	Sleeve material _____

Bolt bushing

Bolt description

Connection Boss side _____ Sketch

Connection Sleeve side _____ Sketch

Bolt material _____

Electrode line bushing _____

Length of sensor pin _____

Material of sensor pin _____

Sketch