

# ComEx Switch module

with terminals for rail-mounted installation



The ComEx switching module can be used in almost all potentially explosive areas where machine functions need to be triggered by a button or a switch. ComEx switching modules are flexible in use and offer a range of actuator elements.

All contacts of the switching module are self-cleaning, and NC contacts have positive opening. The conductor is connected using terminals with increased safety on the back of the module. The simple installation of the actuator elements without tools guarantees the high IP protection type.

- High flexibility
- Easy installation
- High IP protection type

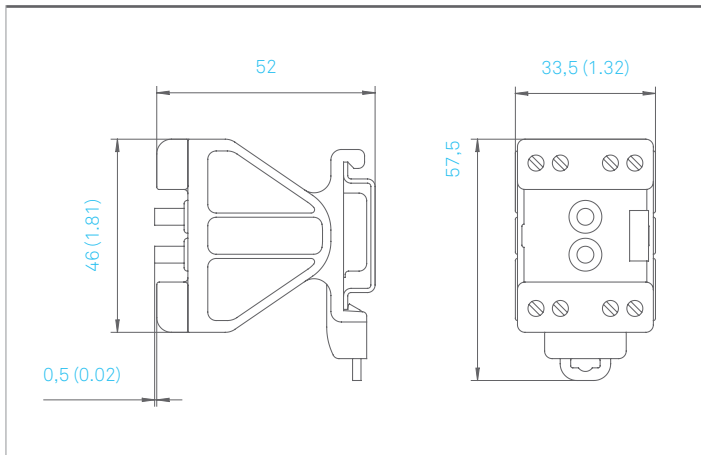
### Explosion protection

Marking ATEX	Ex II 2G Ex db eb IIC Gb Ex I M2 Ex db eb I Mb
Certification	CML 17 ATEX 1105U
Marking IECEx	Ex db eb IIC Gb Ex db eb I Mb
Certification	IECEx CML 17.0045U
Other approvals and certificates, see <a href="http://bartec.com">bartec.com</a>	

### Technical data

Ambient temperature	-55 °C to +60 °C			
Protection class	determined by the actuating element and ComEx enclosure, min. IP 66, terminals IP 20, (IEC 60529).			
Rated insulation voltage	690 V			
Rated voltage	400 V	400 V	110 V	60 V
Utilization category	AC-12	AC-15	DC-13	DC-13
Rated operating currents	16 A	10 A	1 A	2 A
Conventional thermal current I <sub>the</sub>	16 A/+40 °C, 11 A/+60 °C			
Contact options	contacts with positive break operation (self-cleaning) 1 NC and 1 NO or 2 NC or 2 NO			
Contact material	AgSnO <sub>2</sub>			
Enclosure material	Thermoplastic			
Connection	Terminals 2.5 mm <sup>2</sup> , fine stranded			
Electrical load gold-plated contacts	Min. DC 2 V - 300 mA Max. DC 60 V - 1 mA For alternating current, these values are not to be interpreted as peak values.			
Mechanical life	>10 <sup>9</sup> switching cycles			
Storage and transport temperature	-55 °C to +70 °C			
Weight	approx. 70 g			
Mounting	on mounting rail NS 35 x 7.5			
Shock resistance	DIN EN/IEC 60068-2-27, 30 g 18 ms			

### Dimensions



### Ordering information

Switch module without actuating element



Actuating element



Type of contacts	Code A	Actuating element	Code CCCC
2 NC	1	Pushbutton	0700
		Double push button actuator	7400
		Emergency stop NOT-AUS	0800
		Selector switch 0 + I latching, 2 positions	0900
		Selector switch I + II latching, 3 positions	1000
2 NO	2	Selector switch I + II latching, 3 positions	1000
		Selector switch I + II momentary-contact, 3 positions	1001
		Selector switch I latching, II momentary-contact, 3 positions	1002
		Selector switch I momentary-contact, II latching, 3 positions	1003
		Mushroom pushbutton, black	1800
1 NC + 1 NO	4	Mushroom pushbutton, black	1800
		Lockable in both positions, DOM lock	1200
		Lockable in the depressed position, DOM lock	1201
		Lockable in the initial position, DOM lock	1202
		Locking-type mushroom pushbutton	1203

#### Code B

0 = silver-plated contacts  
1 = gold-plated contacts

Please enter code number. Other actuators available see [bartec.com](http://bartec.com)